

# EL<sup>®</sup>MARK

The Brand of Electricity

## CECI LED GROUND

### FIXTURES



#### GENERAL INFORMATION »

- ∴ Rated voltage: 220-240V/ 50-60Hz
- ∴ Power: 3.5W
- ∴ Colour temperature: 4000K
- ∴ Colour: Black; Grey
- ∴ Material: Resin
- ∴ UV resistant
- ∴ Insulation class II
- ∴ Lamp holder: GU10
- ∴ Lamp included
- ∴ Protection against dust and moisture: IP67

#### FEATURES »

- ∴ Modern and stylish round in-ground lamps
- ∴ Made of shockproof resin material
- ∴ UV-rays stabilized, rust and corrosion-free.

#### AREAS OF APPLICATION »

- ∴ Suitable for outdoor use
- ∴ Additional, aesthetic, spectacular, architectural lighting for gardens, parks, yard or other outdoor spaces

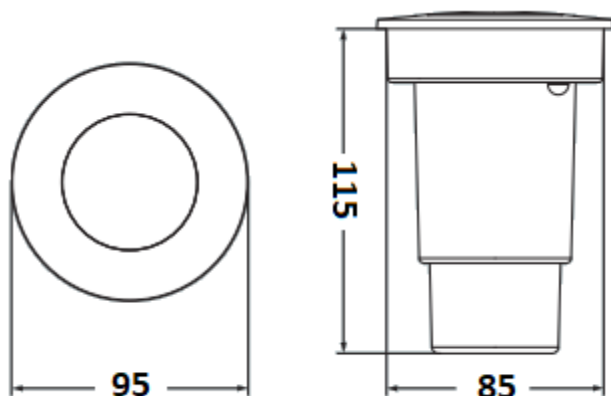


## PRODUCT DETAILS »

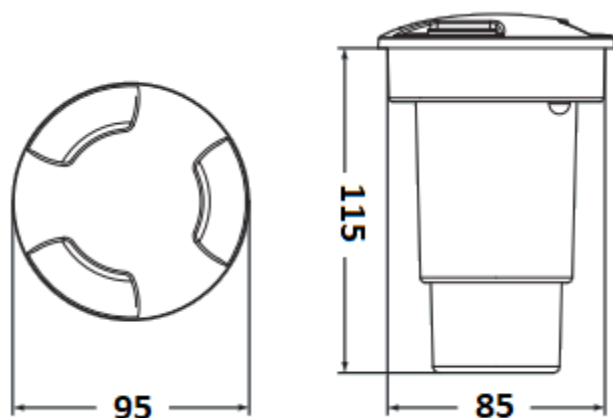
Catalogue number	Model	Watt (W)	Whole fixture lumens (lm)	Beam angle	Colour temp. (K)	Colour body
96CECI90/BL	CECI 90	3.5	400	45°	4000	Black
96CECI90/GR	CECI 90	3.5	400	45°	4000	Grey
96CECI3L/BL	CECI 90 3L	3.5	400	45°	4000	Black
96CECI3L/GR	CECI 90 3L	3.5	400	45°	4000	Grey

## DIMENSIONS »

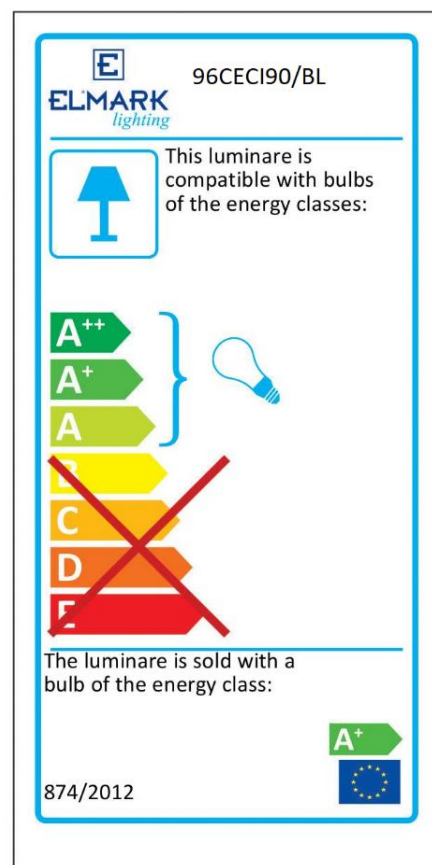
CECI 90



CECI 90 3L



## ADDITIONAL INFORMATION »



Catalogue number	Barcode	Packing/Box (pcs)
96CECI90/BL	8031874005572	1/40
96CECI90/GR	8031874005640	1/40
96CECI3L/BL	8031874005879	1/40
96CECI3L/GR	8031874005947	1/40